



**Bespoke support structures
for fixing light crane systems**

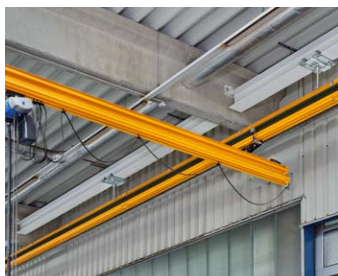


Do you have no appropriate supporting structure to which to attach the crane installation in your building?

Gallows supports p. 5



Auxiliary girders p. 5

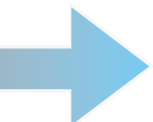


Support consoles p. 6



Tie consoles p. 7





We deliver the right solutions
for individual applications



Embracing brackets p. 8



Portal structures p. 9

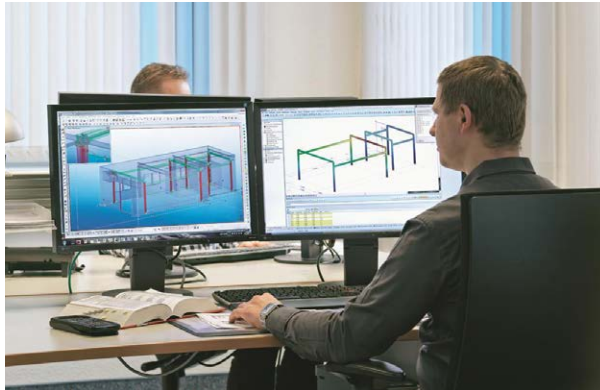


Roof stools p. 10



We deliver the solution

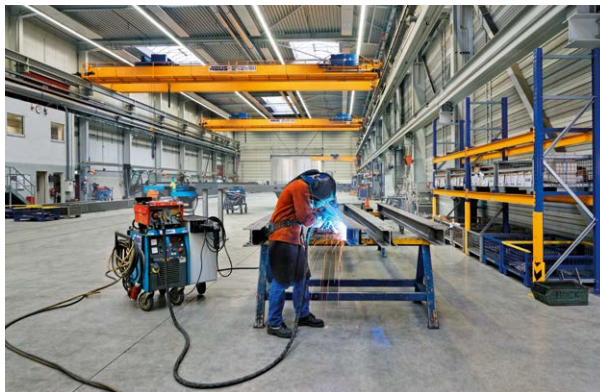
Certificate in accordance with EN 1090-1



Engineering

You tell us your particular application and we'll take care of the rest. If no standard solutions can be implemented, we will design an individual solution that will enable you to use the crane installation at your site. The steel structures are produced in compliance with applicable standards and regulations.

Execution class EXC4 according to EN 1190-1



Manufacturing

Every aspect is right on the mark. The manufacture of the support structures is performed exclusively by qualified employees. The welding work is carried out by certified welders. ABUS holds the manufacturer's qualifications for welding of steel structures. The delivery is made with CE labelling in compliance with EN 1090-1.

Welding qualifications according to EN 1190-1

Quality requirements according to DIN EN ISO 3834-2



Delivery

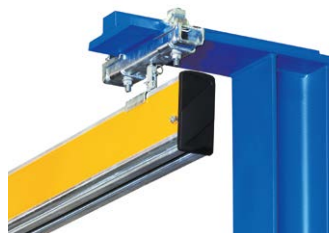
With ABUS you get everything from a single source. Crane systems and support structures are manufactured in parallel and can thus be provided at the same time in one shipment. You are thus spared any additional coordination effort.



Installation

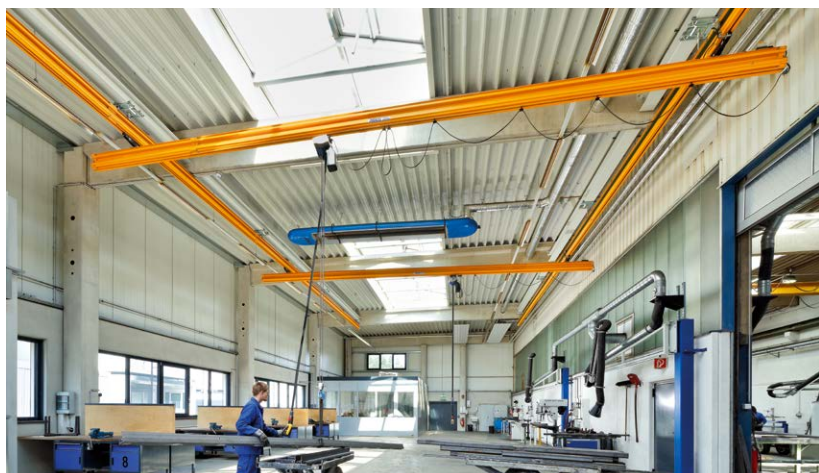
For the installation, place your trust in our experienced qualified engineers. The installation is preceded by a technical clarification process of both crane and support structure, to ensure that everything fits as it should and the installation time is as brief as possible.

Gallows supports



Gallows supports are the inexpensive alternative to portal support structures. They are produced to individual height specifications and can be quickly set up with little installation effort. There are single-sided and double-sided (T-support) gallows to which the crane tracks are attached.

Auxiliary girders

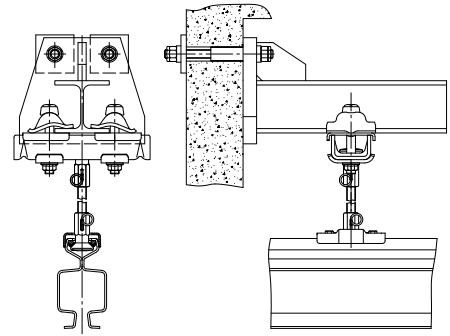


Auxiliary girders provide additional hanging positions for the suspension of the HB crane installation. They are fixed directly between building girders, enabling even large distances to be bridged.

Support consoles



Support consoles are fastened laterally on the building trusses. Heavy-duty anchor bolts are used in the fastening. There are anchor bolts for concrete as well as wooden trusses, with varying projection lengths.



Rear-side anchoring of the support console to the reinforced concrete beam.

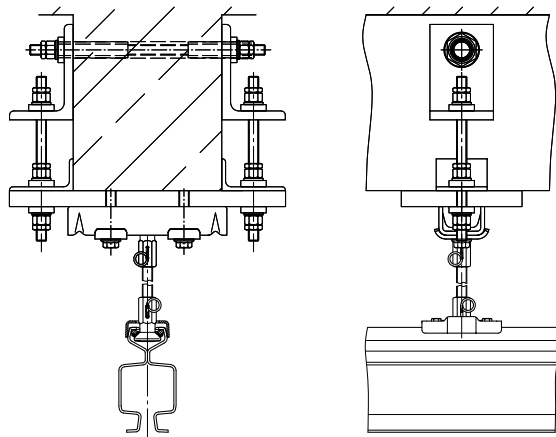




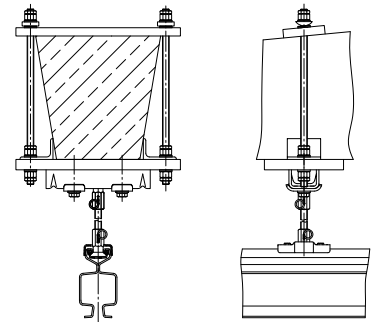
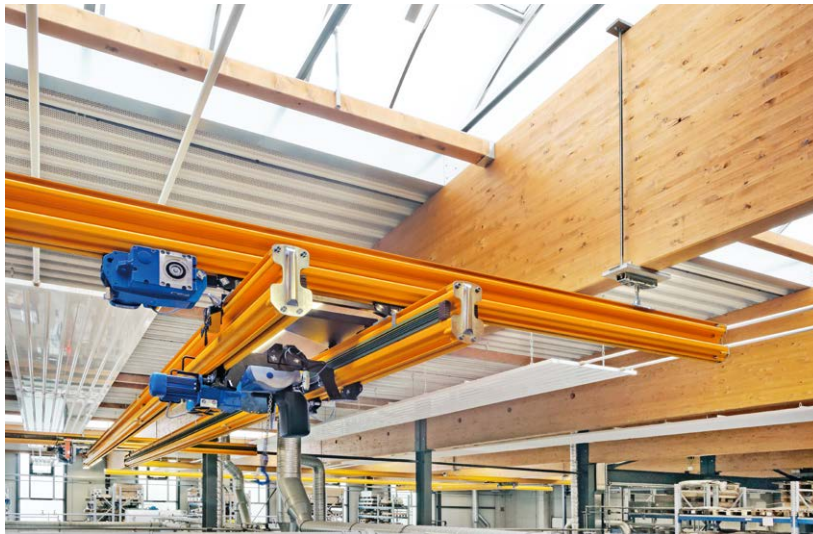
Rear-side anchoring of the support console to the laminated wooden beam.

Tie consoles

Tie consoles enable the HB crane system to be connected directly beneath the supporting structures of building ceilings. The tie hole is drilled from the side and therefore does not need to be accessible from above for the installation. Tie consoles are available for wooden and various types of reinforced concrete trusses.



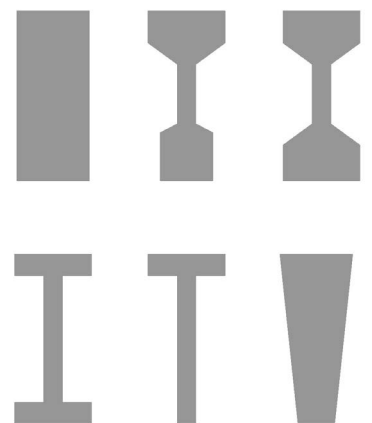
Embracing brackets



Embracing brackets clamp around the building trusses so that drilling completely through them is not necessary.



The threaded rods at the side are variable in length and enable even large truss heights to be used. Depending on the ceiling construction, embracing brackets can also be mounted on the ceilings on top of the building trusses.



These girder shapes can be clamped around.

Portal structures



Individually tailored portal structures offer solutions, for instance, when the ceiling structure is unsuitable for supporting an HB crane system. There are free-standing versions as well as those connected laterally to the building structure.

In order that the operating areas beneath the HB crane systems remain easily accessible, any required bracing is fitted as high as possible and the distances between the portal supports are optimised.



Rigid portal structures allow small pillar bases, which are secured using dowels.

Roof stools

Roof stools are used if large suspension heights exist between ceiling and crane installation. These are fastened with dowels, by clamping or bolting onto the

existing supporting structures. Profile suspension extensions are an alternative to suspension with very long threaded rods. They reduce the pendular movement consider-

ably. Additional stiffeners against swinging are therefore no longer necessary.



Complete solutions from ABUS

HB support structures, designed to meet specific requirements, offer comprehensive solutions for equip-

ping isolated or connected work areas with the ABUS HB crane system. Our specialist team will gladly

advise you on-site.

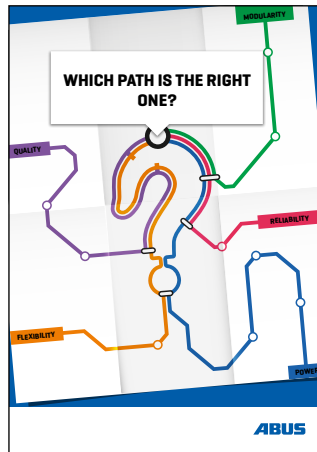


Further product information...

...on ABUS lightweight crane systems and on our entire product range will be gladly forwarded to you. You can also view these directly and download them from our homepage.



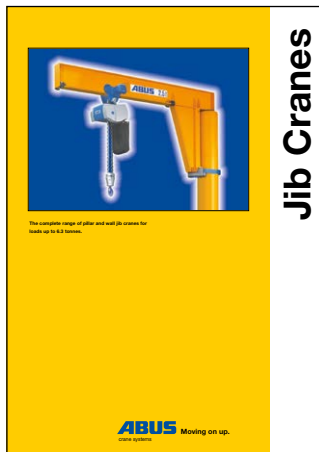
The Product Overview



The new HB system



HB-System



Jib cranes



Mobile gantries



Electric chain hoists

Please send your request
by fax to: +49 2261 37-130

by email to: info@abuscranes.com

Name: _____

Company: _____

Street: _____

Postal code/City/Country: _____

Telephone: _____

E-mail: _____

Date _____ Signature _____