



WINCHES



Range of manual and electric winches for loads from 150 to 10,000 kg

 **VERLINDE**
LIFTING EQUIPMENT

MT



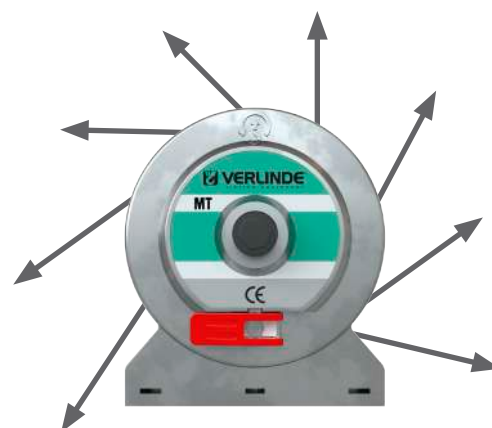
Manual winch
for loads from
150 and 300 kg

The MT hand operated winches with planetary gearbox and drum release is an extension of ME/MV range. This winch may be used in flat position for indoor or outdoor various purpose like on trailers, for lifting doors, opening of traps, masts.

► Technical characteristics

- > A new generation, compact winch taking advantage of the qualities of composite materials and aluminium, especially their anti-corrosion properties.
- > Easy to wind. Planetary reducer in a sealed casing.
- > Automatic brake.
- > With stainless steel spring and pawls.
- > Clutchable, vacuum drum, associated with a failsafe system in the rope wind direction (patented).
- > Removable crank. Ergonomically and comfortably shaped crank grip.
- > Large rope release range (more than 250°).

► Rope exits





> Maximal safety : 2 ratchets.



> Disengageable drum, no load only.



> High level of safety on rope fixing.

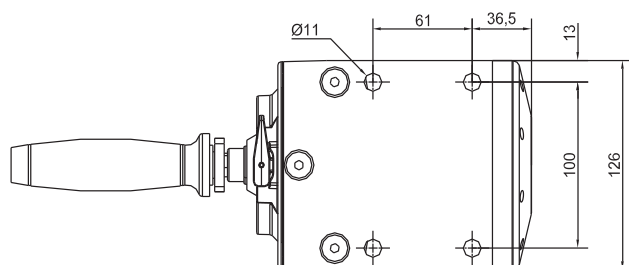


> Bi material, ergonomically and comfortably shaped crank grip "soft touch" type.

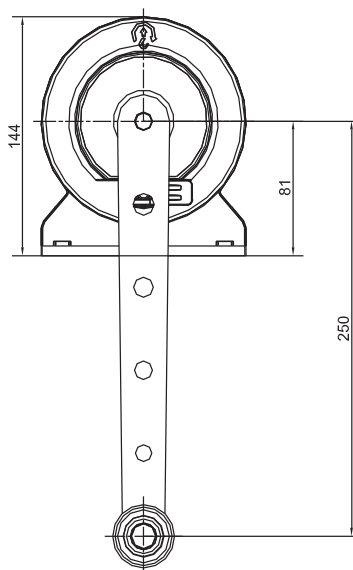
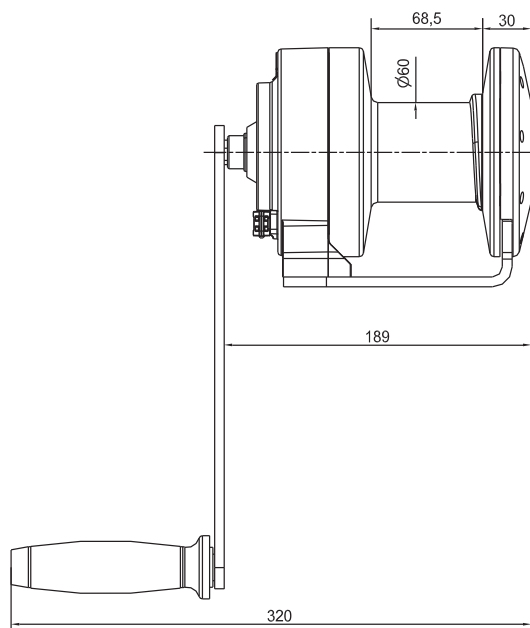


> Excelent Guidage of rope winding.

Load capacity (kg)	Winding (m)	Winch type MT	Stainless steel and steel rope (mm)
150	24	*Fixation plate, spring and ratchet in stainless steel.	4
150 inox*	24		4
300	8,5		5
300 inox*	8,5		5



Dimensions in mm.



ME & MV

Endless screw winch and geared winch for loads from 250 to 3,000 kg



Winch type MV.

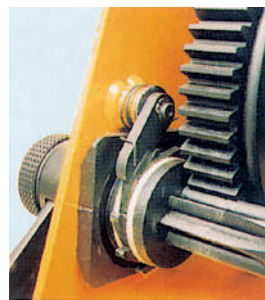
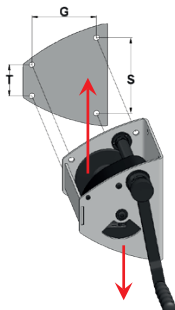
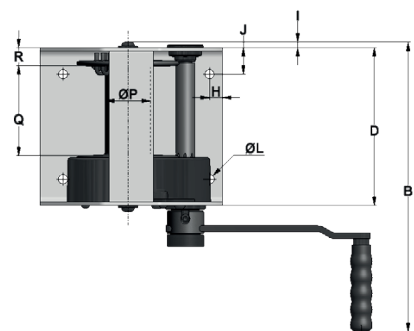
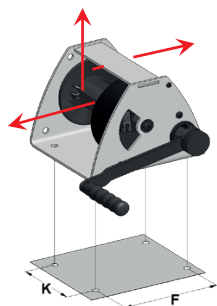
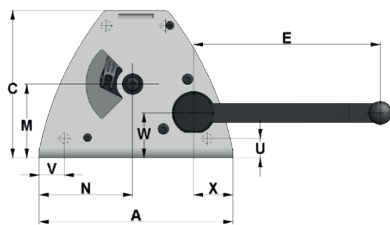


Winch type ME.

Technical characteristics

- > Encased mechanical parts.
- > Automatic brake.
- > Adjustable and dismantable crank.
- > 2 securing planes horizontal or vertical (according to model).
- > Highly rugged design, thanks to the exceptional rigidity of the frame.
- > Mechanical parts protected by cataphoresis.
- > Can be unclutched when off-load, whilst impossible to unclutch under load (except MV250).

Model	ME2	ME3	ME4	ME5	MV1	MV2	MV3	MV4	MV5	MV6
First layer lifting capacity (kg)	300	500	1,000	2,000	250	500	1,000	1,500	2,000	3,000
Total length of winding (m)	38	18	30	25	15	18	30	23	17	18,5
Maximum number of layers	6	4	4	3	4	4	4	3	2	2
Effort required on handle (daN)	12,5	19	14,5	16,5	11	14	14	14	14,5	15
Weight without cable (kg)	15	15	44	83	7,5	12	37,5	52	80	140
Max. and min. use temperature	-20°C to +40°C									

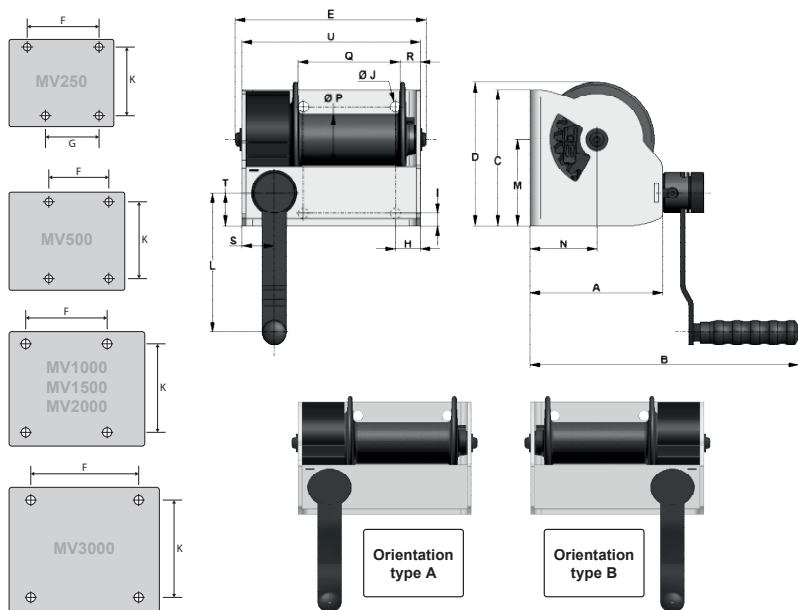


> ME type mechanism.
Gears have passed every type of breakage and endurance test. Sprockets are machined to hold grease. Ratchet brake with stainless steel spring has been proven the best system for this type of equipment.



> Releasable drum.
Except on 250 kg model, MV winches feature a drum that can be disengaged with a small, easily accessible lever. A safety mechanism prevents any declutching when the winch is loaded.

Type ME (mm)																							
Capacity	A	B	C	D	E	F	G	H	I	J	K	ØL	M	N	ØP	Q	R	S	T	U	V	W	X
300 kg	249	400	190	217	240	200	145	18	8	37	144	8Ø13	95	120	62	124	25	184	76	25	33	58	51
500 kg	249	400	190	217	240	200	145	18	8	37	144	8Ø13	95	120	62	124	25	184	76	25	33	58	51
1000 kg	410	485	305	300	340	370	-	20	10	32	236	4Ø17	145	200	103	180	35	-	-	-	-	104	68
2000 kg	510	585	360	400	340	440	-	35	11	38	325	4Ø21	151	187	118	248	47	-	-	-	-	267	191



> Adjustment knob.
Conveniently captive knob adjusts crank tightness. Cannot get lost.



> MV type mechanism.
Wheel and worm gear have passed every type of breakage and endurance test for maximum reliability. Sprockets are machined to hold grease. Ratchet brake with stainless steel spring has been proven the best system for this type of equipment.

Type MV (mm)																					
Capacity	Orientation type	A	B	C	D	E	F	G	H	I	ØJ	K	L	M	N	ØP	Q	R	S	T	U
250 kg	A	140	307	135	142	206	130	95	25	14	4Ø11	100	240	84	73	50	100	21	40	35	190
500 kg	A	162	325	166	175	233	112	-	30	15	4Ø13	130	240	105	82	62	124	25	40	40	217
1000 kg	B	302	470	290	302	322	167	-	45	20	4Ø17	250	340	180	130	103	180	35	56	50	300
1500 kg	B	350	518	330	330	370	200	-	50	25	4Ø21	250	340	194	162	105	220	39,5	58 123	50	350
2000 kg	B	350	518	330	330	370	200	-	50	25	4Ø21	250	340	194	162	105	220	39,5	58 123	50	350
2000 kg	B	356	520	390	390	420	260	-	39	25	4Ø21	295	340	224	171	121	262	45,5	60 125	50	400
3000 kg	A	480	640	450	450	530	390	-	55	40	4Ø25	380	340	307	153	145	289	54,5	62 126	55	500



MR



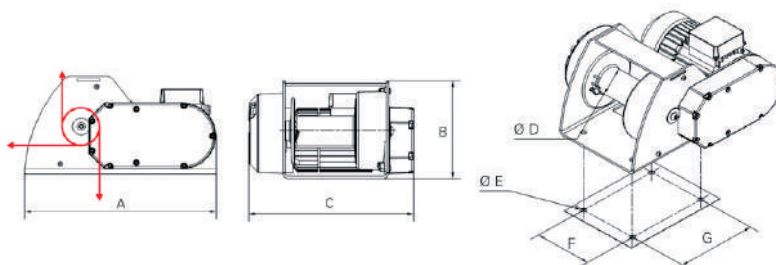
Single phase electric winch for loads from 150 to 500 kg

Single-phase electric winch designed for lifting and traction simple, ideal to replace a manual winch, used in cases of occasional maintenance.

Technical characteristics

- > Power supply 230 / 1 Ph / 50Hz.
- > Electric cubicle.
- > Limit switches as standard (2 steps).
- > IP 44 MR1 - IP 54 MR2 & 3.
- > Push button box with up/down button and emergency stop.
- > 3 meter control cable.

Type	Capacity at last layer (kg)	Capacity at first layer (kg)	Number of layers	Speed at first layer (m/min)	Speed at upper layer (m/min)	Motor power (kW)	Motor type	Max cable length (m)	Weight (kg)	Rope diameter (mm)
MR1	150	150	3	5,5	7	0,25	1 Ph - 230V	15	14	4
MR2	300	300	3	4,6	5,9	0,37	1 Ph - 230V	16	27	5
MR3	500	500	3	2,6	3,6	0,37	1 Ph - 230V	13,5	27	6



Type	A	B	C	Ø D	Ø E	F	G
MR1	310	179	281	54	9	114	154
MR2	390	205	341	63,5	13	144	200
MR3	390	205	341	63,5	13	144	200

Dimensions en mm



> Limit switch very easy to adjust and extremely reliable.



TIRLIFT



Electric **single and 3 phases** winches for loads from **125 to 990 kg**

This line of all-purpose electric winches for lifting and traction adapt perfectly to all your needs (wide load range, numerous options). They are designed for the lifting of loads of 125 kg to 990 kg. Compliance with the EC directive concerning machines.

Technical characteristics

These winches are designed for pulling and lifting of loads between 125 kg and 990 kg (Class FEM 1Bm). They comply with directive CE 2006/42/CE.

TIRLIFT type TL and TC electric winches offer the following standard features :

- > A drum for 5-mm wire rope for loads up to 250 kg, for 6-mm wire rope for loads up to 500 kg and for 7-mm wire rope for loads between 800 kg and 990 kg.
- > Protection of electrical components (control panel and motor), type IP55.
- > 2 types of totally enclosed, life lubricated, helicoidal gear treated (type according load range).
- > One or two lifting speed.
- > A wide line of hoisting motor 380-400V / 50 Hz/3 PH (power from 1.1 to 2.2 kW for the high speed and from 0.37 to 0.75 kW for the low speed) with insulation class F, IP 55 protection. Spring loaded disc brake.
- > A start/stop contactor (for type B and C equipment).
- > A 48 V Low Voltage transformer (for type B and C equipment).
- > A modular and evolucional under-frame allowing many directions for wire rope outlets from the drum.

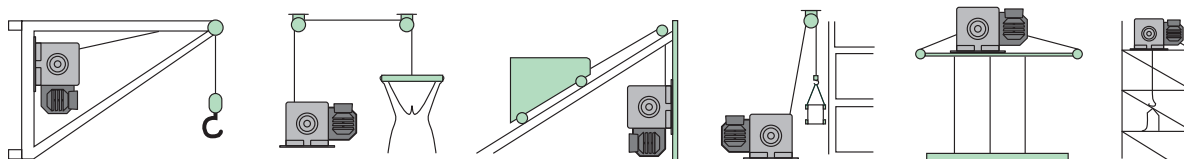


Options available

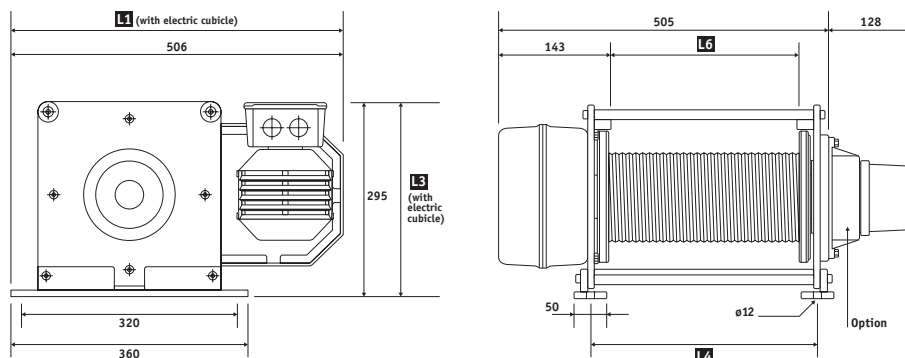
- > Time counter.
- > Limit switch with cams is mounted onto drum outlet.
- > Drum outlet shaft (to install a coder or a limit switch for special lifting).
- > Rope pressure roller.
- > Rain cover.
- > Manual brake release.
- > Centred lifting.
- > Capstan-type winch.
- > Several rope outlets on the drum.
- > Thermal probe relay for motor.
- > Motor tropicalisation.
- > Motor 1500/500 tr/min.
- > Class H motor.
- > Other voltages and frequency of power supply and other control voltage :
 - 230, 415, 500 V, 50Hz and control under 48 or 115 V.
 - 115, 230, 415, 440/460/480, 575 V / 60 Hz and control under 48 or 115 V.



Examples of uses



Technical characteristics & product range



Load (kg)	Model	Drum type	Capacity (m)	Motor power (kW)	Winding speed (m/mn)	Electrical equipment			Rope per meter		Dimensions in mm			
						A	B	C	Diam.	Price	L1	L3	L4	L6
125	TC1	Court	26	1,1	22	1300	1660	1745	5	5	523	351	166	112
	TL1	Long / Long	56	1,1	22	1309	1671	1757	5	5	523	351	341	287
	TC1	Court	26	1,1	22	1511	2203	2298	5	5	523	351	166	112
	TL1	Long / Long	56	1,1	22	1522	2216	2309	5	5	523	351	341	287
	TC1	Court	26	0,37 / 1,1	7/22	1450	1812	1900	5	5	523	351	166	112
	TL1	Long / Long	56	0,37 / 1,1	7/22	1462	1822	1909	5	5	523	351	341	287
250	TC2	Court / Short	26	1,1	22	1300	1660	1745	5	5	523	351	166	112
	TL2	Long / Long	56	1,1	22	1309	1671	1745	5	5	523	351	341	287
	TC3	Court / Short	26	1,1	16	1300	1664	1745	5	5	523	351	166	112
	TL3	Long / Long	56	1,1	16	1309	1702	1757	5	5	523	351	341	287
	TC3	Court	26	1,1	22	1511	2203	2298	5	5	523	351	166	112
	TL2	Long / Long	56	1,1	22	1522	2216	2309	5	5	523	351	341	287
	TC2	Court	26	1,1	16	1511	2203	2298	5	5	523	351	166	112
	TL3	Long / Long	56	1,1	16	1522	2216	2298	5	5	523	351	341	287
	TC2	Court / Short	26	0,37 / 1,1	7/22	1450	1812	1900	5	5	523	351	166	112
	TL2	Long / Long	56	0,37 / 1,1	7/22	1462	1822	1909	5	5	523	351	341	287
	TC3	Court / Short	26	0,37 / 1,1	5/16	1450	1812	1900	5	5	523	351	166	112
	TL3	Long / Long	56	0,37 / 1,1	5/16	1462	1822	1909	5	5	523	351	341	287
500	TC4	Court / Short	25	2,2	18	1919	2336	2403	6	5	523	351	166	112
	TL4	Long / Long	68	2,2	18	1934	2346	2418	6	5	523	351	341	287
	TC5	Court / Short	25	1,1	9	1816	2229	2264	6	5	523	351	166	112
	TL5	Long / Long	68	1,1	9	1827	2239	2275	6	5	523	351	341	287
	TC5	Court /	25	2,2	12	2203	2967	3041	6	5	523	351	166	112
	TL4	Long / Long	68	2,2	12	2203	2896	3041	6	5	523	351	341	287
	TC4	Court / Short	25	0,75 / 2,2	6/18	1919	2725	2755	6	5	523	351	166	112
	TL4	Long / Long	68	0,75 / 2,2	6/18	2323	2738	2767	6	5	523	351	341	287
	TC5	Court / Short	25	0,37 / 1,1	3/9	2016	2430	2348	6	5	523	351	166	112
	TL5	Long / Long	68	0,37 / 1,1	3/9	2027	2441	2475	6	5	523	351	341	287
	TC6	Court / Short	22	2,2	12	2027	2441	2511	7	6	523	351	166	112
	TL6	Long / Long	60	2,2	12	2041	2454	2523	7	6	523	351	341	287
800	TC7	Court / Short	22	2,2	9	2016	2430	2496	7	6	523	351	166	112
	TL7	Long / Long	60	2,2	9	2027	2441	2511	7	6	523	351	341	287
	TC6	Court / Short	22	0,75 / 2,2	4/12	2418	2832	2862	7	6	523	351	166	112
	TL6	Long / Long	60	0,75 / 2,2	4/12	2428	2841	2873	7	6	523	351	341	287
	TC7	Court / Short	22	0,75 / 2,2	3/9	2403	2818	2851	7	6	523	351	166	112
	TL7	Long / Long	60	0,75 / 2,2	3/9	2418	2832	2862	7	6	523	351	341	287
990	TC8	Court / Short	22	2,2	9	2016	2430	2496	7	6	523	351	166	112
	TL8	Long / Long	60	2,2	9	2027	2441	2511	7	6	523	351	341	287
	TC8	Court / Short	22	0,75 / 2,2	3/9	2403	2818	2826	7	6	523	351	166	112
	TL8	Long / Long	60	0,75 / 2,2	3/9	2418	2649	2862	7	6	523	351	341	287

Single phase version 230 V / 1 ph / 50 Hz



TVI

Industrial
electric
3 phases
winches for
loads from
**1,000 to
10,000 kg**



The range of compact electric winches TVI designed for the industrial market.

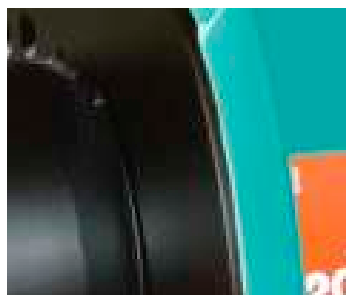
Due to the robustness, the compact dimensions, the wide range of load capacity, the large availability of options, the diversity of possible attachment, the TVI is perfectly adapted to all standard lifting or pulling/hauling applications.

Technical characteristics

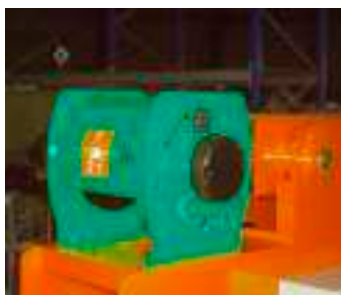
- > Power supply 230 / 400 V / 3 Ph / 50Hz.
- > Electric cubicle IP 55 on the winch.
- > Low voltage control 24V - Thermal circuit breaker.
- > Drum length : 350 mm.
- > Planetary gear box.
- > Push button box with emergency stop.
- > 3 meter control cable.
- > Several rope exit and options available.

Options available

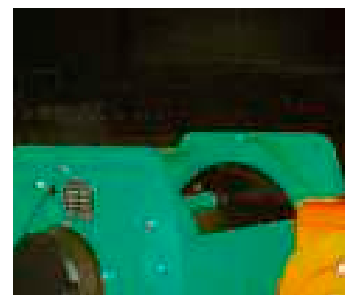
- > IP66 limit switches.
- > Additional rope fixation.
- > Load limiter.
- > Grooved drum 1 fixation.
- > Grooved drum 2 fixations.
- > Brake release.
- > Add shaft.
- > Drum length modification.
- > Drum cover at 3/4 surface.
- > Total drum cover protection.
- > Special motor voltage.
- > Motor tropicalized.
- > IP 56 motor.
- > IP 65 motor.
- > H class motor.
- > Slack rope detection.
- > Pressure roller.
- > Variable speed.
- > Offshore paint.
- > Radio remote.



> Système anti-dégorgement du câble.
Espace réduit.



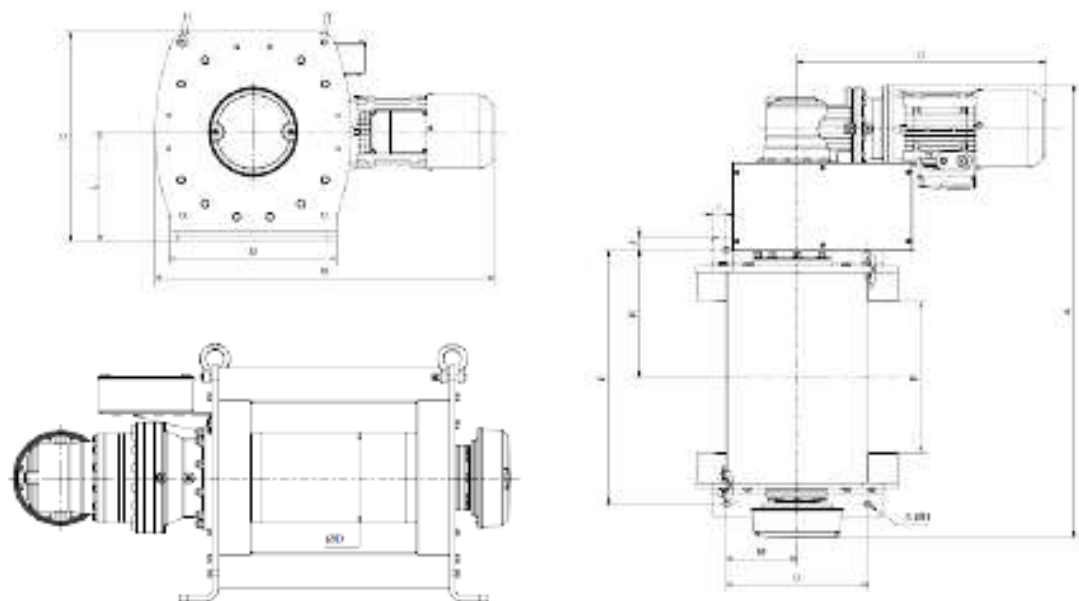
> Les tirants sont mobiles en fonction
de la sortie de câble.



> Rouleau presse-câble et interrupteur de mou
de câble intégrés sous le tirant supérieur.



Technical characteristics & product range

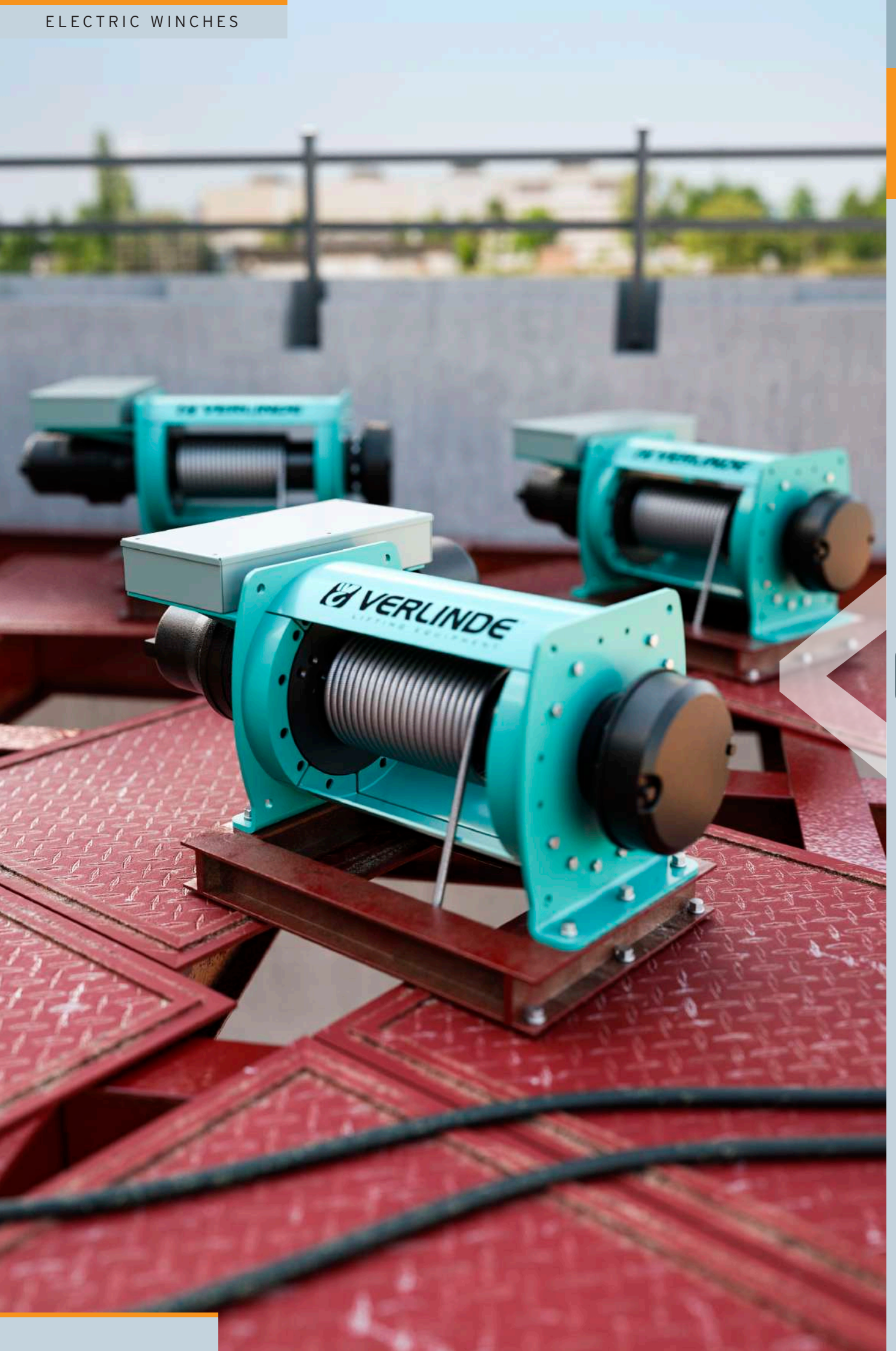


Type	A	B	C	Ø D	E	F	G	I	J	K	L	M	N	O
TVI 1	911	290	375	125	350	525	240	25	23	263	188	120	716/748	548/578
TVI 2	1050/1045	420	500	219,1	350	590	330	45	32	295	262	165	823/902	578/657
TVI 3	1065/1090	420	500	219,1	350	590	330	45	32	295	262	165	823/902	578/657
TVI 4	1169/1194	520	665	292	350	600	420	50	30	300	350	210	905/984	578/657
TVI 5	1194/1220	520	665	292	350	600	420	50	30	300	350	210	954/1190	627/795
TVI 6	1224/1250	650	765	323,9	350	600	420	115	30	300	395	210	1013/1181	627/795
TVI 7	1241/1267	700	870	355,6	350	720	620	40	50	360	455	310	1103/1181	662/830
TVI 8	1241/1267	700	870	355,6	350	720	620	40	50	360	455	310	1133/1271	692/830
TVI 9	1288/1087	840	975	406,4	350	720	750	45	47	360	540	375	1133/1314	692/830
TVI 10	1288/1314	840	975	406,4	350	720	750	45	47	360	540	375	1176/1314	692/830

Dimensions in mm.

Type	Capacity at last layer (kg)	Capacity at first layer* (kg)	Number of layers	Speed at first layer (m/min)	Speed at upper layer (m/min)	Motor power (kW)	Drum length (mm)	Max cable length (m)	Rope diameter (mm)
TVI 1 5M	1000	1255	3	4	5	1,1	350	60	8
TVI 1 8M	1000	1255	3	8,5	10,5	2,2	350	60	8
TVI 2 5M	2000	2420	3	4,5	5,5	2,2	350	71	11,5
TVI 2 9M	2000	2420	3	8	9,5	4	350	71	11,5
TVI 3 3M	3000	3765	3	2,5	3,5	2,2	350	59	14
TVI 3 6M	3000	3765	3	4,5	5,5	4	350	59	14
TVI 4 2M	4000	4985	3	2	2,5	2,2	350	60	18
TVI 4 5M	4000	4985	3	3,5	4	4	350	60	18
TVI 5 3M	5000	6230	3	2,5	2	3	350	60	18
TVI 5 9M	5000	6230	3	6	7,5	9,2	350	60	18
TVI 6 3M	6000	7480	3	1,5	2	3	350	60	20
TVI 6 9M	6000	7480	3	5	6	9,2	350	60	20
TVI 7 3M	7000	8725	3	1,5	2	3	350	60	22
TVI 7 6M	7000	8725	3	4,5	6	9,2	350	60	22
TVI 8 4M	8000	9975	3	2	2,5	4	350	60	22
TVI 8 9M	8000	9975	3	4	5	9,2	350	60	22
TVI 9 2M	9000	11120	3	1,5	2	4	350	62	24
TVI 9 5M	9000	11120	3	4	4,5	9,2	350	62	24
TVI 10 3M	10000	12355	3	2	2,5	5,5	350	62	24
TVI 10 4M	10000	12355	3	3,5	4,5	9,2	350	62	24

*Load capacities are given for the first layer of cable.



TEC

Electric
3 phases
 winches
 for loads from
600 to 10,000 kg



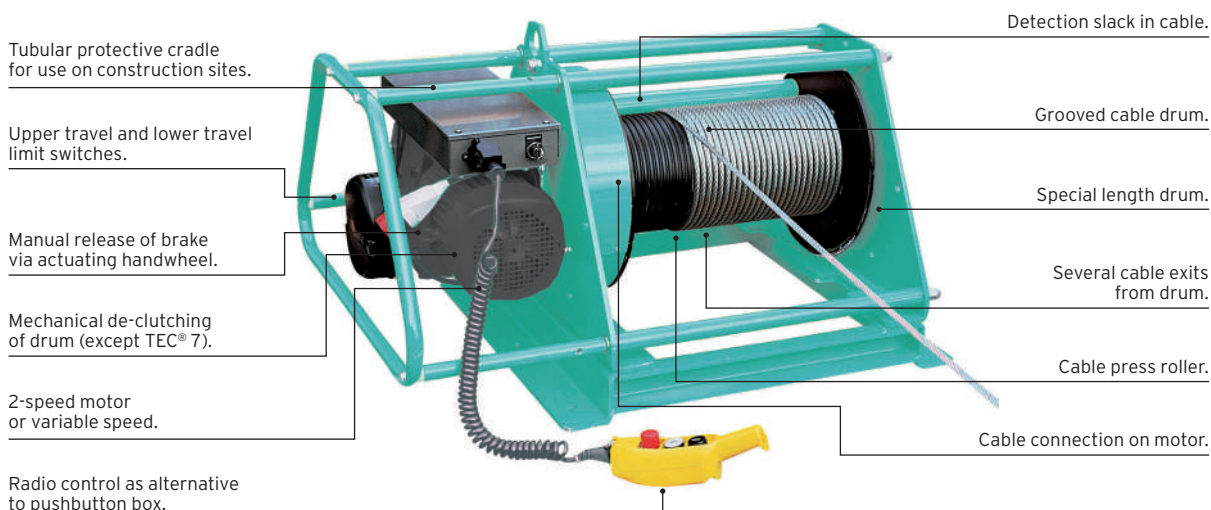
This range of all-purpose electric winches for hoisting and pulling provides the perfect solution to all your needs with its wide range of loads and the considerable number of options available. What is more, the rugged design of this winch is a warrant for an extremely long service life requiring very little maintenance.

Technical characteristics

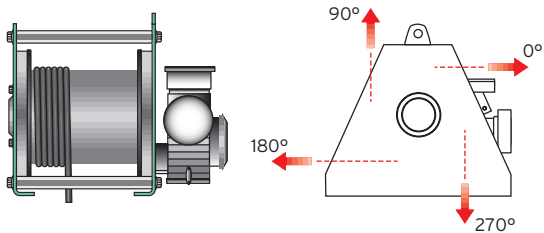
- > A 230/400 V - 50 Hz 3-phase electric motor.
- > A low voltage electromagnetic brake with automatic take-up of wear.
- > Type IP 54 protection for the switchgear (cabinet and motor).
- > An emergency stop pushbutton box on a 3 meters long spiral cable.
- > An ON/OFF contactor.
- > A 24 V low voltage transformer.
- > A thermal cutout circuit-breaker.
- > A primary down gearing by an oil bath reduction box.
- > A secondary down gearing by gear under a cover (except for the TEC® 7).
- > A modular design frame amenable for changes (for instance a multiple choice of exits to lead out the cable from the drum).
- > Comply with directive CE 2006/42/CE.



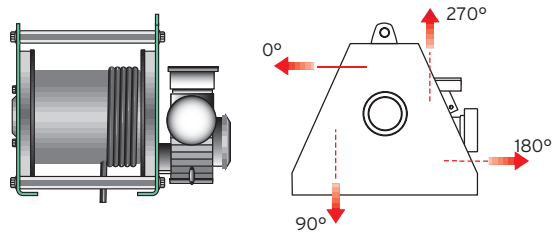
Options available



Cables exits

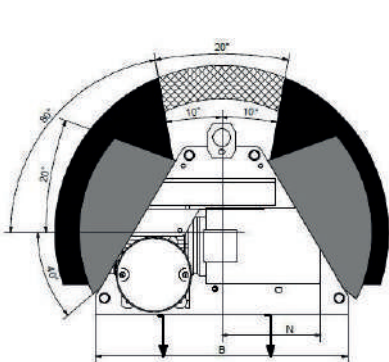


Right entry (cable) - standard

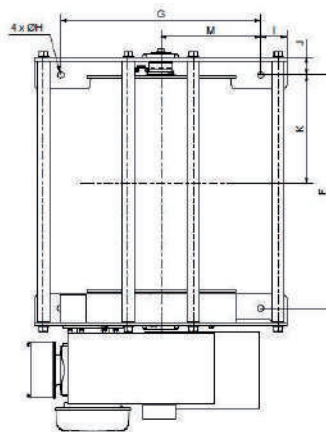
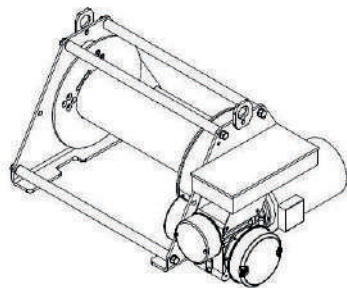
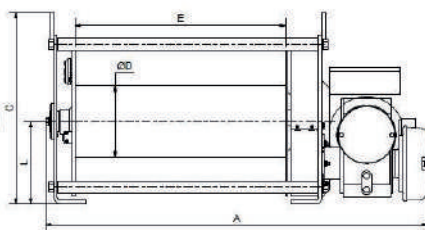


Left entry (cable) - standard

Technical characteristics & product range



Wire rope maximal amplitude - Outlet from under
 Wire rope maximal amplitude - Outlet from above
 Impossible wire rope outlet (except under request)



Type	Capacity at last layer (kg)	Capacity at first layer (kg)	Number of layers	Average speed (m/min)	Motor (kW)	Drum length (mm)	Maximum cable length capacity (m)	Weight (kg)	Rope Diameter	Dimensions in mm												
										A	B	C	ØD	E	F	G	ØH	I	J	K	L	M
TEC 2	600	755	5	9,7	2,2	600	325	215	6,8	1088	720	545	203	600	665	570	18	75	50	665	235	285
	600	755	5	14,6	3	600	325	220	6,8	1088	720	545	203	600	665	570	18	75	50	665	235	285
	600	755	5	19,8	4	600	325	220	6,8	1088	720	545	203	600	665	570	18	75	50	665	235	285
	900	1165	5	7,5	2,2	600	280	215	8	1088	720	545	203	600	665	570	18	75	50	665	235	285
	900	1165	5	10	3	600	280	220	8	1088	720	545	203	600	665	570	18	75	50	665	235	285
TEC 3	900	1165	5	20,3	5,5	600	280	220	8	1088	720	545	203	600	665	570	18	75	50	665	285	285
	1000	1300	5	6	2,2	600	280	215	8	1088	720	545	203	600	665	570	18	75	50	665	235	285
	1000	1300	5	12,2	4	600	280	220	8	1088	720	545	203	600	665	570	18	75	50	665	235	285
	1300	1710	4	5,1	2,2	600	160	215	11,5	1088	720	545	203	600	665	570	18	75	50	665	235	285
	1300	1710	4	12,5	5,5	600	160	220	11,5	1088	720	545	203	600	665	570	18	75	50	665	235	285
TEC 4	1600	2110	4	4,4	2,2	600	160	215	11,5	1088	720	545	203	600	665	570	18	75	50	665	235	285
	1600	2110	4	10,4	5,5	600	160	220	11,5	1088	720	545	203	600	665	570	18	75	50	665	235	285
	2000	2410	4	5,2	2,2	600	235	670	11,5	1224	1000	973	324	600	725	750	22	125	78	303	410	375
	2000	2410	4	10,9	4	600	235	700	11,5	1224	1000	973	324	600	725	750	22	125	78	303	410	375
	2600	3200	4	4,3	2,2	600	215	670	13	1224	1000	973	324	600	725	750	22	125	78	303	410	375
TEC 5	2600	3200	4	8,1	4	600	215	693	13	1224	1000	973	324	600	725	750	22	125	78	303	410	375
	3300	4220	4	3,3	2,2	600	180	680	15,8	1237	1000	973	324	600	725	750	22	125	78	303	410	375
	3300	4220	4	5,7	4	600	180	703	15,8	1237	1000	973	324	600	725	750	22	125	78	303	410	375
	5000	6575	4	2	2,2	600	160	710	18	1283	1000	973	324	600	725	750	22	125	78	303	410	375
	5000	6575	4	4	4	600	160	730	18	1283	1000	973	324	600	725	750	22	125	78	303	410	375
TEC 6	5000	6575	4	8,7	11	600	160	815	18	1271	1000	973	324	600	725	750	22	125	78	303	410	375
	7500	9875	4	3,5	5,5	800	215	1250	22	1471	1200	1143	394	800	922	1000	28	100	73	412	500	500
TEC 7	10000	14230	5	5,2	11	800	265	1950	24	1659	1240	1295	394	800	1216	1000	27	120	50	555	662	500



VERLINDE is:

- The leading French manufacturer and exporter of lifting and handling equipment.
- A comprehensive range of 30 groups of lifting equipment from 60 to 250,000 kg.
- ISO 9001 Quality control certified and ISO 14001 Environmental Management Systems.



Our references

Metallurgy, Mechanics, Nuclear ➤ ArcelorMittal - Unimetal - Stein - NFM - Framatome - Alstom

Chemicals, Petrochemicals industry ➤ Sanofi Aventis - Du Pont De Nemours - Total

Aeronautical industry ➤ Aérospatiale - Airbus - Eurocopter - Air France - Aéroport de Paris - Snecma - Dassault Aviation

Agri-food industry ➤ Nestlé - Danone - Bel - Palamatic - Tetrapak - Lactalis

Automobile industry ➤ Renault - Peugeot - Citroën - Scania - Ford - RVI - Volkswagen - Michelin - Massey Ferguson - Manitou - Toyota Industrial Equipment

Other sectors ➤ EDF - SNCF - RATP - Spie - Degremont - Eiffage - Polysius - Baudin Chateaufort



In France:

A sales network and after sales service points, EUROPONT travelling crane construction plants and a distributor network.

Abroad:

A customer service in more than 92 countries.



2, boulevard de l'Industrie - B.P. 20059 - 28509 Vernouillet cedex - France
Telephone : (33) 02 37 38 95 95 - Fax : (33) 02 37 38 95 99
Internet : www.verlinde.com